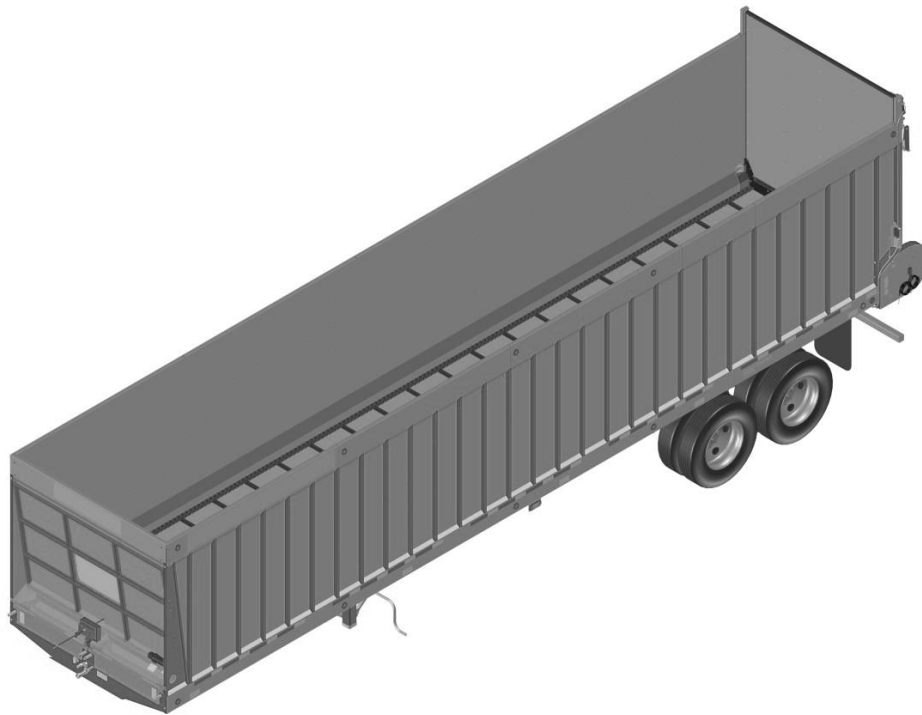




TD40 SEMI-TRAILER FORAGE BOX PARTS BOOK



Revision #00
Starting Serial #4ULJB3822GS001080

HSMFG0317

Part #77659

Manufactured By
H&S MANUFACTURING CO.,INC.

P.O. BOX 768 (715) 387-3414 FAX (715) 384-5463
MARSHFIELD, WISCONSIN 54449

CONTENTS

Instructions for Ordering Parts - About Improvements	1
Figure 1 - Body Panels	2-3
Figure 2 - Bumper Landing Gear	4-5
Figure 3 - Axle Bearings and Cams	6-7
Figure 4 - Brake Drum and Bearings	8-9
Figure 5 - Brakes	10-11
Figure 6 - Apron Tensioner	12-13
Figure 7 - Chain and Drive	14-17
Figure 8 - Hydraulics Circuit	18-19
Figure 9 - Gate Delay	20-21
Figure 10 - Air Connection	22-23
Figure 11 - Rear Transport Lighting	24-25
Figure 12 - Transport Lighting	26-27
Figure 13 - Optional Barn Doors	28-29
Figure 14 - Spring Suspension	30-31
Figure 15 - Grain Kit	32-33
Figure 16 - Flow Control Kit	34-35
Figure 17 - Air Valve for Gate Delay	36-37
Parts Notes	38

INSTRUCTIONS FOR ORDERING PARTS

All service parts should be ordered through your authorized H&S dealer. They will be able to give you faster service if you will provide them with the following;

1. Model & Serial number are located on the left frame stringer by the jack handle.
2. All reference to left or right apply to the machine as viewed from the rear.
3. Parts should not be ordered from illustration only. Please order by complete part number.
4. If your dealer has to order parts - give shipping instructions:

VIA truck - large pieces (please specify local truck lines)

VIA United Parcel Service (include full address)

H&S MFG. CO. INC.	
MARSHFIELD, WIS.	
MOD. NO.	<input type="text"/>
SER. NO.	<input type="text"/>
DESCR.	<input type="text"/>

PLEASE RECORD NUMBERS FOR YOUR UNIT FOR QUICK REFERENCE

ABOUT IMPROVEMENTS

H&S IS CONTINUALLY STRIVING TO IMPROVE IT'S PRODUCTS

We must therefore, reserve the right to make improvements or changes whenever it becomes practical to do so without incurring any obligation to make changes or additions to the equipment previously sold.

FIGURE 1
BODY PANELS

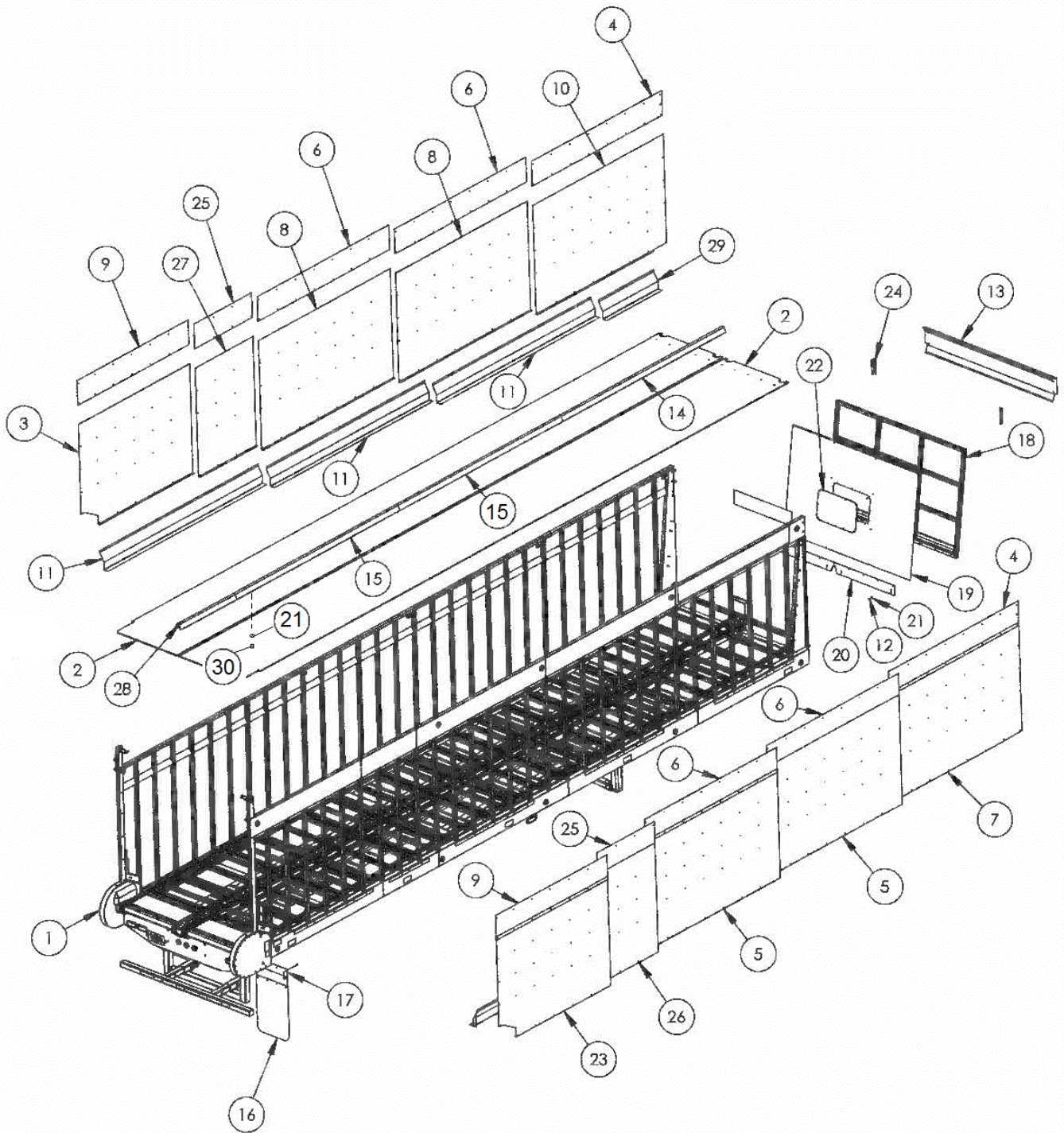


FIGURE 1

BODY PANELS

<u>ITEM</u>	<u>QTY</u>	<u>PART #</u>	<u>DESCRIPTION</u>
1	1	BBS40	SUBFRAME WITH SKIRT
2	2	54074	POLY FLOOR
3	1	BBS25	SIDE BACK LEFT
4	2	BBS71	SIDE EXTENSION FRONT
5	2	BBST16G07	SIDE A
6	4	BBST16G11	SIDE EXTENSION CENTER SIDE
7	1	BBS27	FRONT RIGHT
8	2	BBST16G15	SIDE B
9	2	BBS70	SIDE EXTENSION REAR
10	1	BBST16G05	SIDE FRONT LEFT
11	6	BBS30	INSIDE SIDE SLANT
12	9	YBHH12035	BOLT, 3/8" X 1-1/4" GR. 5
13	1	023010G01	FRONT PANEL UPPER
14	1	72812	TD COVER, WLDMT, FRONT
15	2	72815	TD COVER, WLDMT, CENTER
16	2	8034	HS MUDFLAP
17	2	BBST6G09	MUD FLAP BRACKET
18	1	BBS46	SLANT PANEL FRAME
19	1	55840	FRONT PANEL
20	1	BBS48	FRONT SEAL RUBBER
21	15	YWFL12005	WASHER, FLAT, 3/8 USS
22	1	55839	WINDOW WITH HOLES
23	1	BBS26	CURBSIDE REAR SHEET
24	2	02306G01	FRONT PANEL MOUNT ANGLE
25	2	54082	SIDE EXTENSION REAR
26	1	54070	SIDE SHEET EXTENSION
27	1	54081	SIDE SHEET EXTENSION
28	1	72869	TD COVER 40, WLDMT, REAR
29	2	54067	TD40 INSIDE SIDE SLANT SHORT
30	15	YNNY12005	NUT, HEX, 3/8-16, LKNY, G2, ZC

FIGURE 2
BUMPER LANDING GEAR

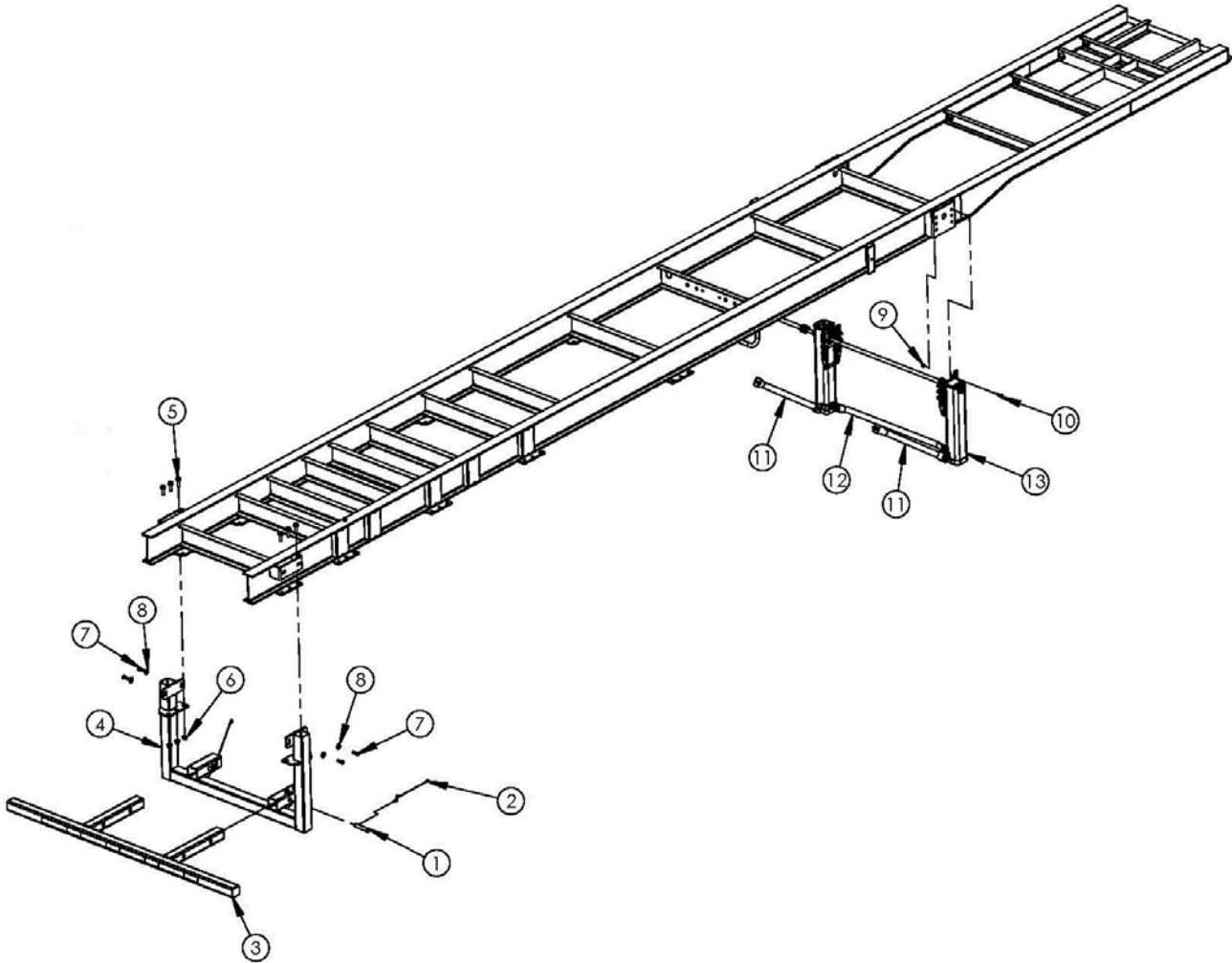


FIGURE 2

BUMPER LANDING GEAR

<u>ITEM</u>	<u>QTY</u>	<u>PART #</u>	<u>DESCRIPTION</u>
1	2	1118	CLEVIS PIN 1" X 4-3/4"
2	2	SEMIAS06	SEMI-LYNCH PIN LANYARD ASSEMBLY
3	1	54155	BUMPER
4	1	54149	BOLT ON BUMPER WELDMENT
5	6	YBFB24005	BOLT, FLANGE, 3/4"-10 X 2-1/2" GR. 8
6	6	YNFG24006	3/4"-10 TOP LOCK FLANGE NUT, GRADE G
7	4	YBHH20022	BOLT, 5/8" X 1-3/4" GR. 8
8	4	YWFL20005	WASHER, FLAT, 5/8" USS
9	18	YNTL20005	HEX NUT, TOP LOCK, 5/8-11
10	18	YBHH20010	BOLT, 5/8 X 1-1/2 GR 5
11	2	1003	LANDING GEAR BRACE 26"-41"
12	1	1004	LANDING GEAR BRACE 42"-57"
13	1	1002	LANDING GEAR ASSEMBLY (COMPLETE)

FIGURE 3 AXLE BEARINGS & CAMS

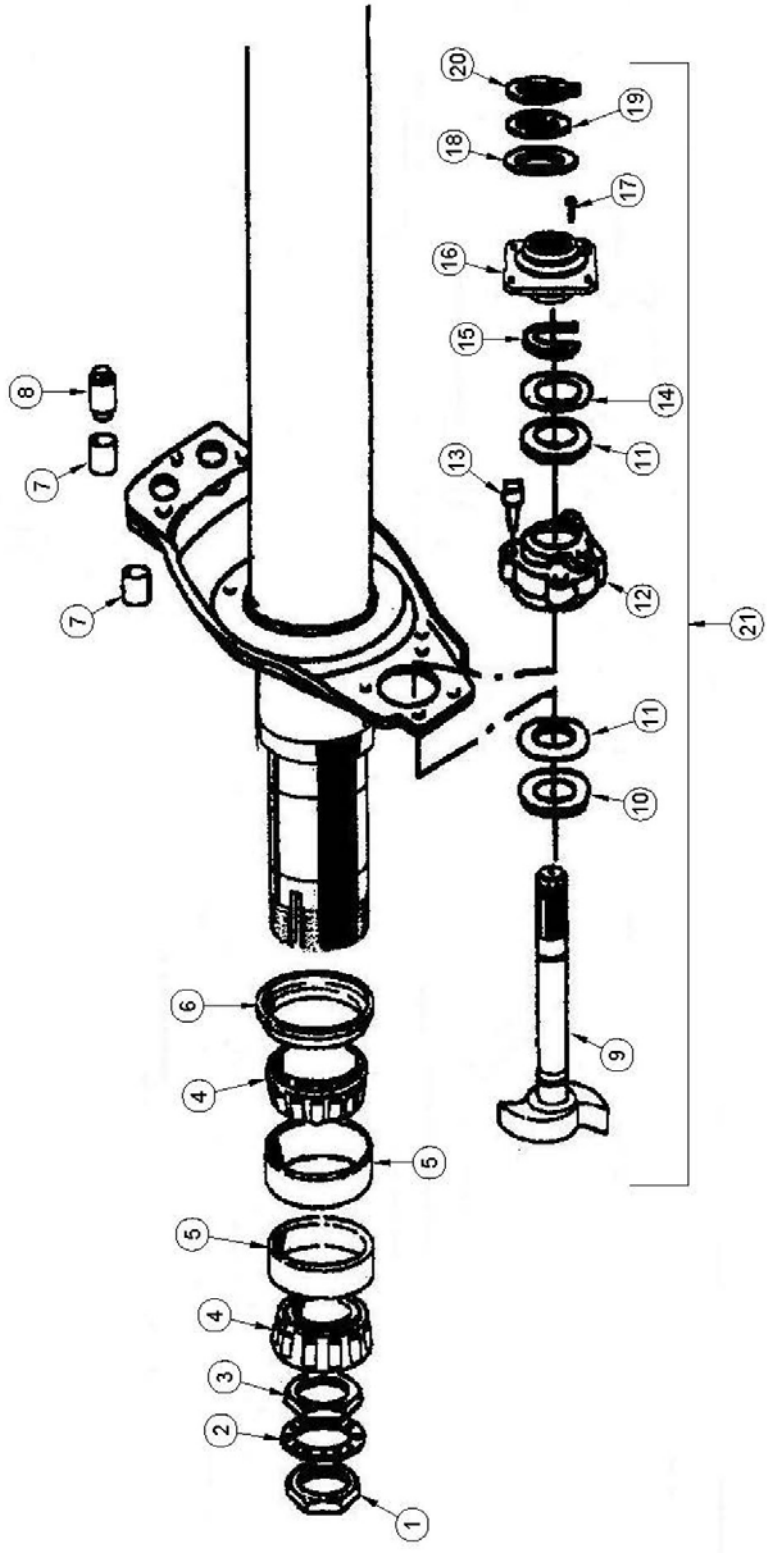


FIGURE 3

AXLE BEARINGS & CAMS

<u>ITEM</u>	<u>QTY</u>	<u>PART #</u>	<u>DESCRIPTION</u>
1	1	8269	NUT
2	1	8270	WASHER
3	1	8271	NUT
4	2	8272	BEARING CONE
5	2	8273	BEARING RACE
6	1	8274	SEAL
7	2	8275	BUSHING
8	1	8276	ANCHOR PIN
9	1	8277	LEFT CAM
*	1	8291	RIGHT CAM
10	1	8278	WASHER
11	2	8279	SEAL
12	1	8280	BUSHING
13	1	8281	CAPSCREW
14	1	8282	WASHER
15	1	8283	SNAP RING
16	1	8284	CAMSHAFT BUSHING ASSEMBLY
17	1	8285	CAPSCREW
18	1	8286	SLACK ADJUSTER WASHER
19	1	8287	SLACK ADJUSTER WASHER
20	1	8288	SLACK ADJUSTER SNAP RING
21	-	8289	CAM KIT (LEFT)

NOTE: * MEANS NOT SHOWN

FIGURE 4
BRAKE DRUM & BEARINGS

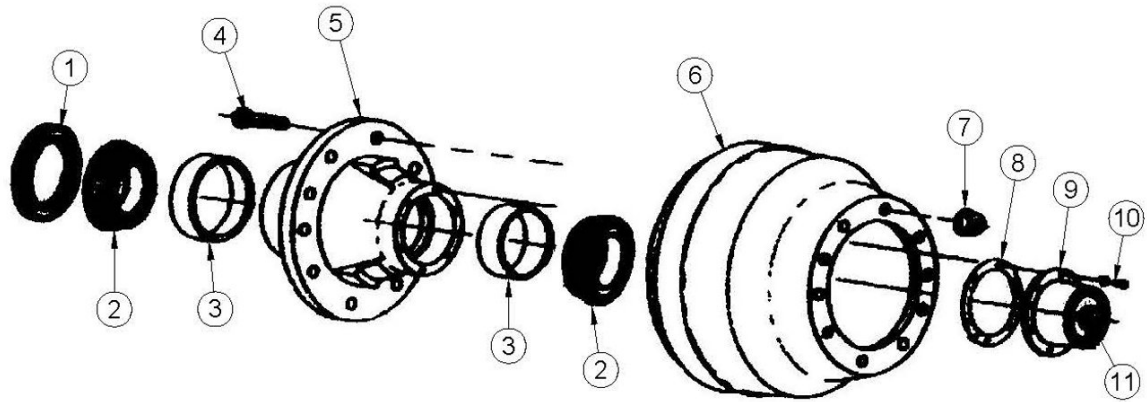


FIGURE 4

BRAKE DRUM & BEARINGS

<u>ITEM</u>	<u>QTY</u>	<u>PART #</u>	<u>DESCRIPTION</u>
1	1	8300	SEAL
2	2	8301	CONE
3	2	8302	RACE
4	10	8303	STUD
5	1	8304	HUB
6	1	8305	BRAKE DRUM
7	10	8306	LUG NUT
8	1	8307	GASKET
9	1	8308	HUB CAP
10	6	8309	HUB CAP BOLT
11	1	8310	HUB CAP OIL DRAIN

FIGURE 5
BRAKES

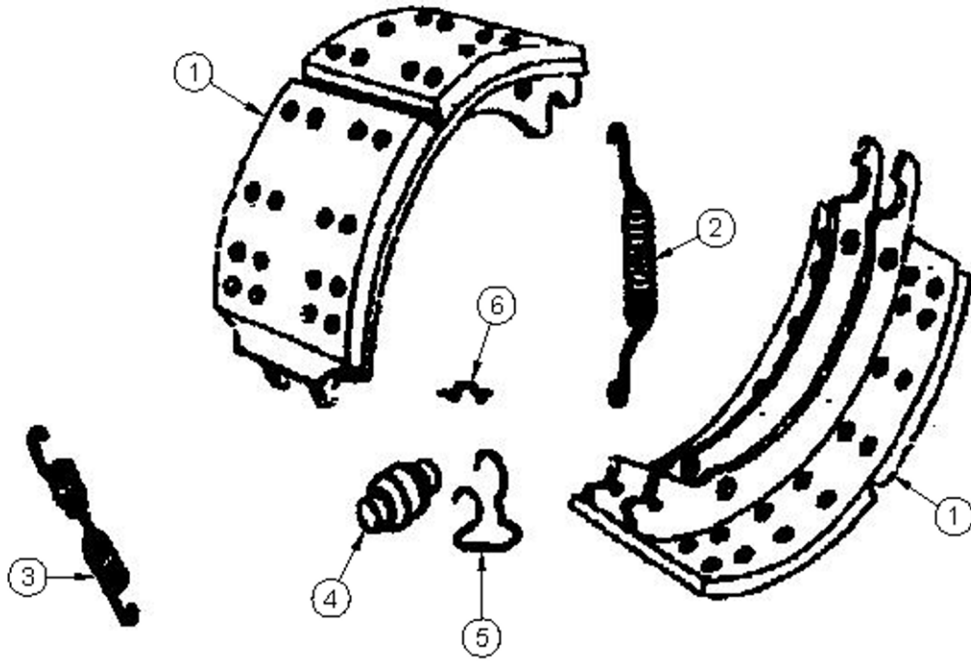


FIGURE 5

BRAKES

<u>ITEM</u>	<u>QTY</u>	<u>PART #</u>	<u>DESCRIPTION</u>
1	2	8292	BRAKE SHOE
2	1	8293	SPRING
3	1	8294	SPRING
4	1	8295	ADJUSTER
5	1	8296	CLIP
6	1	8297	RETAINER
*	1	8298	HARDWARE KIT WITH BUSHINGS AND ANCHOR PINS (DOES NOT INCLUDE BRAKE SHOES)

NOTE: * MEANS NOT SHOWN

FIGURE 6

APRON TENSIONER

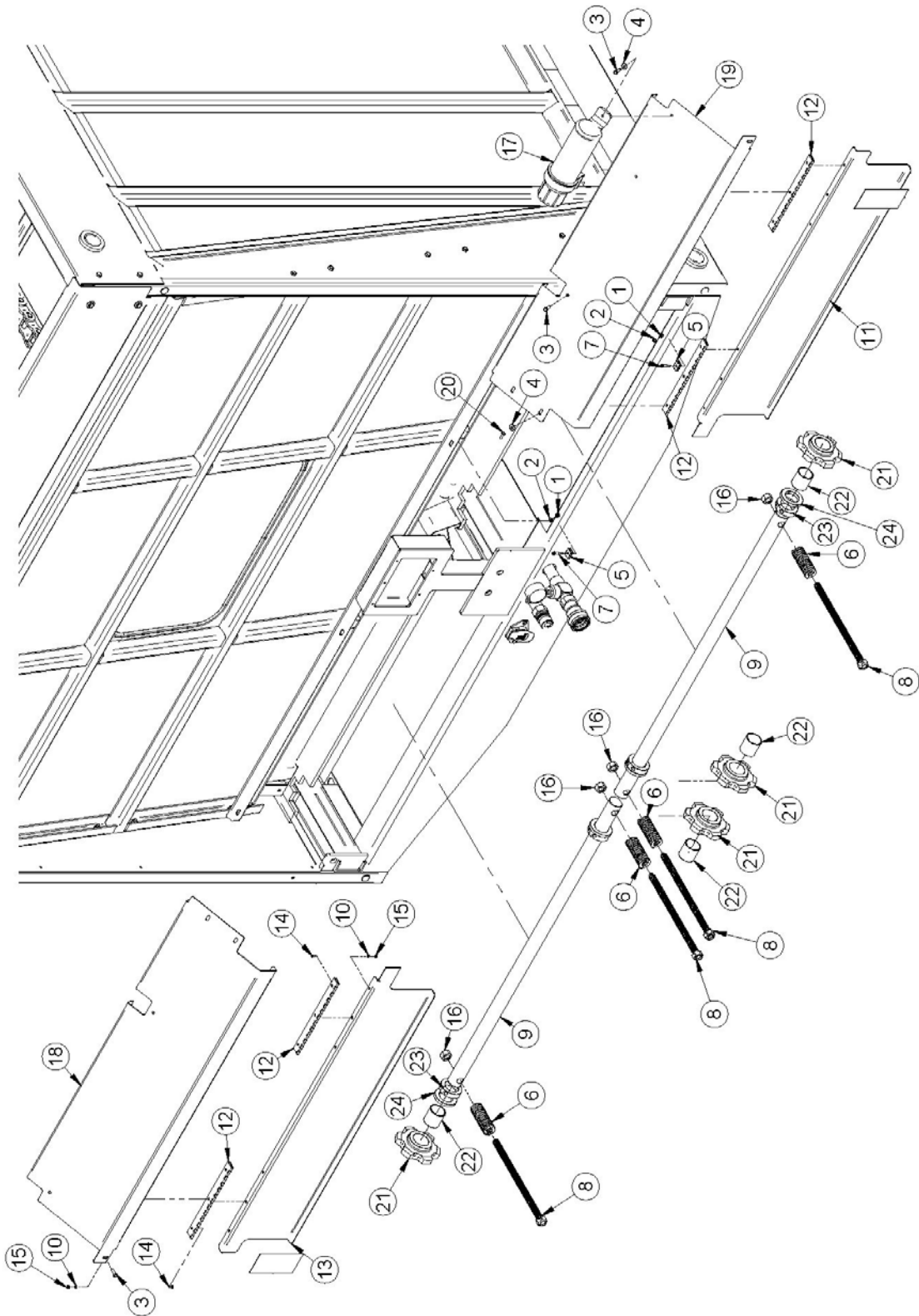


FIGURE 6

APRON TENSIONER

<u>ITEM</u>	<u>QTY</u>	<u>PART #</u>	<u>DESCRIPTION</u>
1	8	YNHX08005	HEX NUT, 1/4
2	8	YWLO08005	WASHER, LOCK, 1/4
3	6	YBHH08010	BOLT, 1/4" X 1" GR. 5
4	8	YWFL08005	1/4 FLAT WASHER
5	4	BBS74	RECTANGULAR MAGNET
6	4	BBS35	COMPRESSION SPRING
7	4	YSDR66007	SELF DRILLING SCREW, HEX HEAD, #12 X 1-1/4 (ZINC)
8	4	BBS34	TIGHTENER ROD
9	2	BBS29	IDLER SHAFT FRONT
10	24	YWSI62005	#8 ZINC EXT LOCK WASHER
11	1	BBST14G20	FRONT SHIELD BOTTOM LEFT
12	3	BBSTMS15	SS CONT. HINGE 12"
13	1	BBS73	FRONT SHIELD BOTTOM
14	24	YSFM62005	FLAT HEAD CAP SCREW, CROSS #8-32 X 1/2
15	24	YNHX62005	8-32 ZINC PLATED NUT
16	4	YNHX24004	HEX NUT, 3/4-10 GR 5
17	1	S522	MANUAL HOLDER
18	1	BBS72	FRONT SHIELD
19	1	BBST14G28	FRONT SHIELD SLANT LEFT
20	2	YBHH08100	BOLT, 1/4" X 3/4" GR. 5
21	4	BBSTSH07	6 TOOTH IDLER SPROCKET
22	4	RGT3	BUSHING
23	4	8340	1.75ID X 2.75OD 1 PC CLAMP COLLAR
24	4	BBSTPL05	IDLER SPROCKET POLY SPACER

FIGURE 7

CHAIN & DRIVE

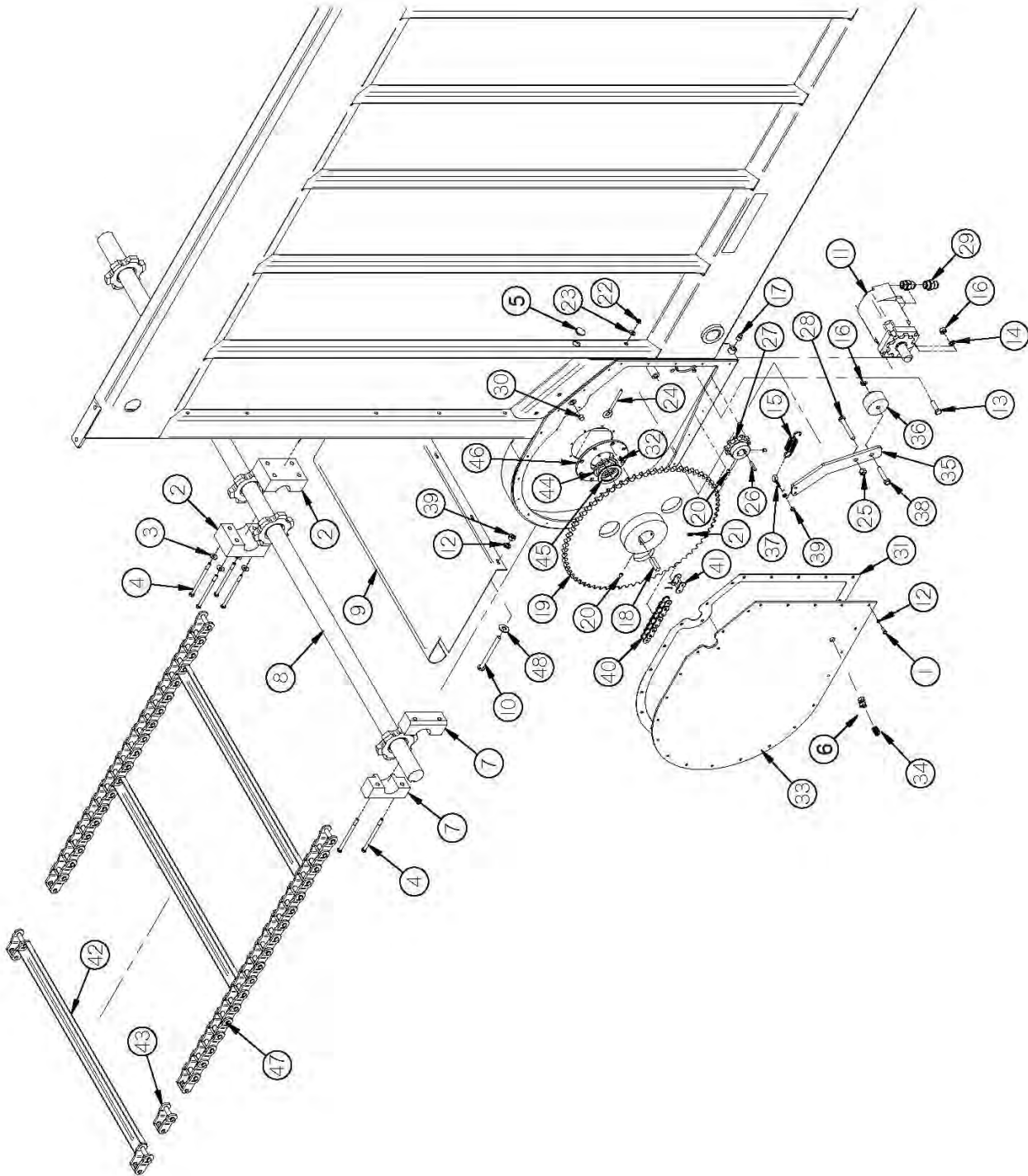


FIGURE 7

CHAIN & DRIVE

<u>ITEM</u>	<u>QTY</u>	<u>PART #</u>	<u>DESCRIPTION</u>
1	23	YBHH08100	BOLT, 1/4" X 3/4" GR. 5
2	2	BBS62	DRIVE SHAFT BEARING CENTER
3	6	YWFL16005	FLAT WASHER, 1/2"
4	6	YBHH16155	BOLT, 1/2 X 5 GR 5
5	2	56127	PUSH-IN PLUG
6	2	56092	1/4 NPT THROUGH-WALL FITTING
7	2	BBS63	OUTER DRIVESHAFT BEARING
8	1	BBSTWE04	DRIVE SHAFT
9	1	BBS76	DRIVE SHAFT SEAL
10	10	YBHH08070	BOLT, 1/4" X 2-3/4" GR. 5
11	1	33SV73	HYDRAULIC MOTOR
12	33	YWLO08005	WASHER, LOCK, 1/4
13	4	YBHH16055	BOLT, 1/2 X 1-3/4 GR 5
14	4	YWLO16005	WASHER, LOCK, 1/2
15	1	GM410	EXTENSION SPRING
16	4	YNHX16005	HEX NUT, 1/2"
17	2	G65	PIPE PLUG 3/8" 18 NPT
18	1	BBS59	.500 X 2.000 HARDENED KEY
19	1	BBS60	DRIVEN SPROCKET
20	4	YSKP12010	SET SCREW, SOCKET, KNURLED CUP PT, 3/8-16 X 1/2
21	1	YSKP12035	3/8-16 X 0.75, SOCKET SET SCREW, CUP POINT
22	1	YNNY10005	5/16-18 NYLON LOCKNUT
23	1	YWFL10005	WASHER, FLAT, 5/16" USS
24	2	YBTE10040	TURNUED EYE BOLT, 5/16" X 4"
25	1	YNTL16005	HEX NUT, TOP LOCK, 1/2-13

FIGURE 7
CHAIN & DRIVE

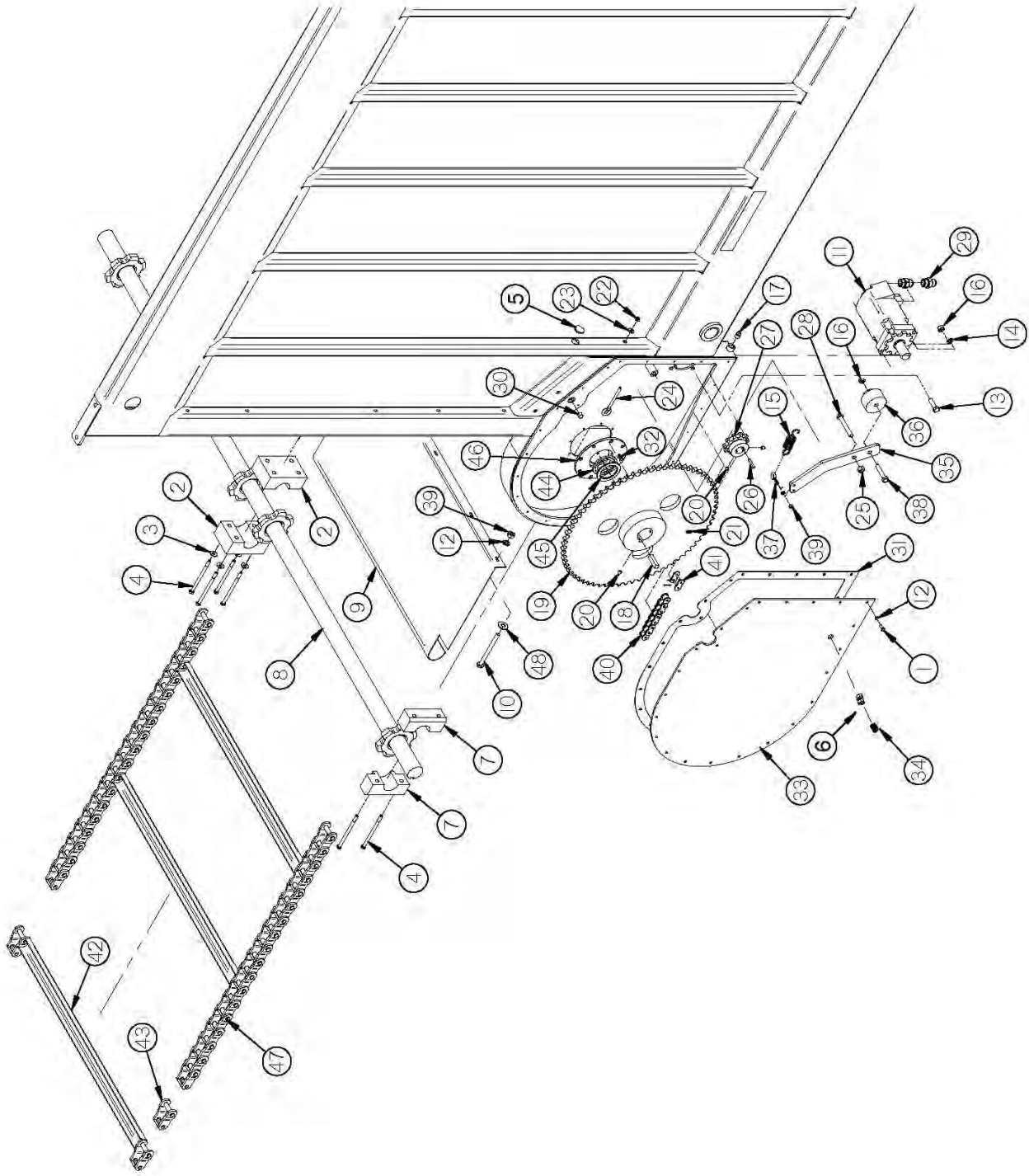


FIGURE 7

CHAIN & DRIVE

<u>ITEM</u>	<u>QTY</u>	<u>PART #</u>	<u>DESCRIPTION</u>
26	1	G23A	SQUARE KEY, 5/16" X 1-1/4"
27	1	BBS61	DRIVE SPROCKET
28	1	YBHH16115	BOLT, 1/2" X 3-1/2" GR. 5
29	2	SD273	STRAIGHT THREAD CONNECTOR
30	2	BFR70	VENT PLUG 3/8" #BV-3
31	1	BBSTMS13	SPROCKET COVER GASKET
32	1	YSFM08005	FLAT HEAD SOCKET CAP SCREW, 1/4-28 X 1/2
33	1	BBST3G19	SPROCKET COVER
34	1	YMPP08005	1/4 HEX SOCKET PLUG
35	1	BBS9	TIGHTENER BAR
36	1	BBS10	POLY TIGHTENER
37	1	YBTE08005	.250 x 1 I BOLT
38	1	YBHH16080	BOLT, 1/2" X 2-1/2" GR. 5
39	12	YNHX08005	HEX NUT, 1/4
40	1	1042	H80 X 81 PITCH ROLLER CHAIN ASSEMBLED
41	1	IFB17	80 H CONNECTOR LINK
42	1	8060	WELDED #88 CHAIN SLAT
43	1	8061	#88 PINTLE CHAIN LINK
44	1	BBSTMS23	BBST ROPE SEAL
45	1	BBSTTU27	BBST SEAL RETAINER PLATE
46	1	BBSTHF19	BBST SEAL PLATE
47	2	53995	40 FOOT, #88 PL88 APRON CHAIN
48	10	YWFL08005	WASHER, FLAT, 1/4" USS

FIGURE 8
HYDRAULIC CIRCUIT

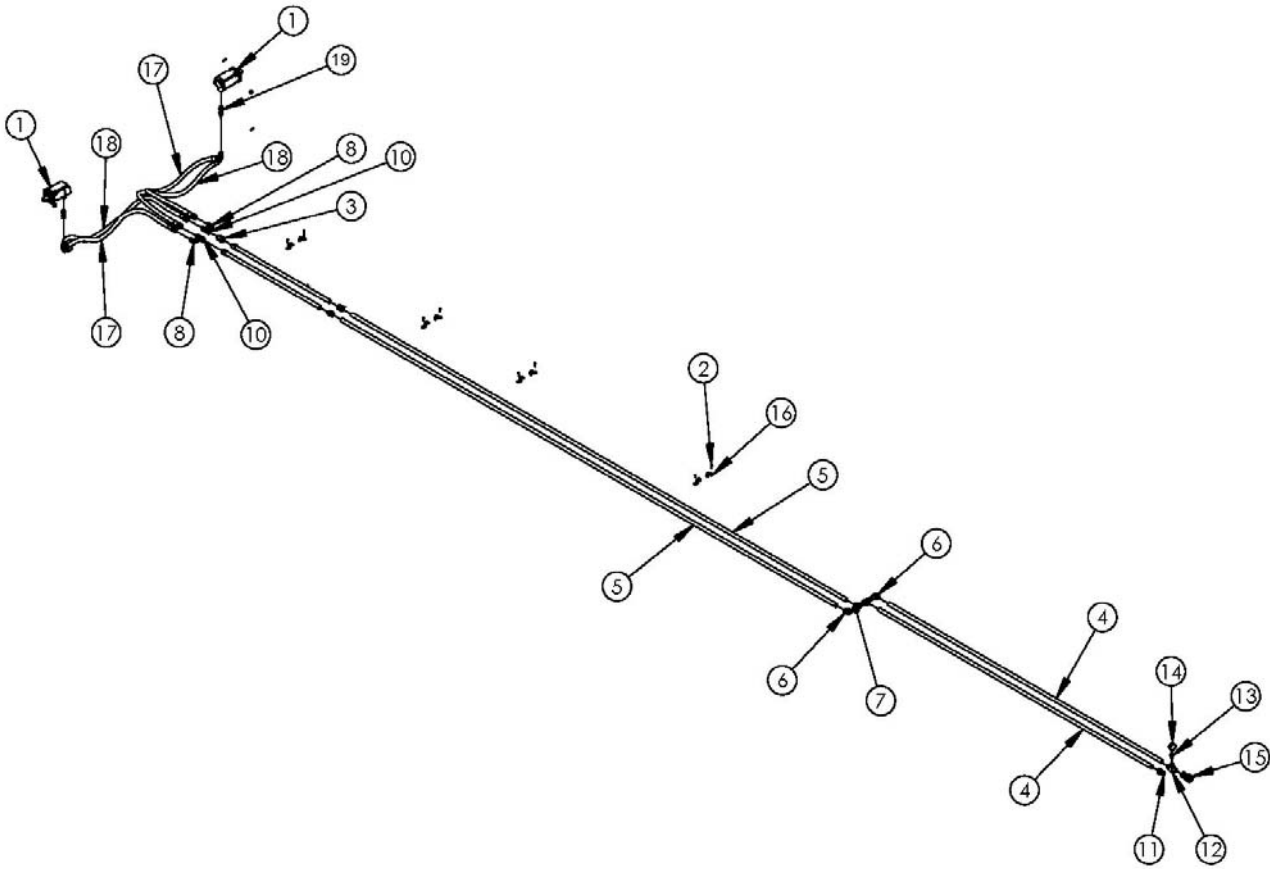


FIGURE 8

HYDRAULIC CIRCUIT

<u>ITEM</u>	<u>QTY</u>	<u>PART #</u>	<u>DESCRIPTION</u>
1	2	33SV73	HYDRAULIC MOTOR
2	8	YSDR66007	SELF DRILLING SCREW, HEX WASHER HEAD, #12 X 1-1/4 (ZINC)
3	1	53829	1" CHECK VALVE
4	2	BBS50	HYDRAULIC LINE SHORT 1.000
5	2	BBSTPI02	HYDRAULIC LINE 1.00
6	4	1030	45° FEMALE ELBOW
7	2	BBSTPI04	NIPPLE 4.5 X 1
8	2	8021	SWIVEL NUT ELBOW
9	2	BBS65	FEMALE CONNECTOR
10	2	CHM182	SWIVEL NUT RUN TEE
11	1	BBS32	1.00" QUICK COUPLER-MALE
12	1	DWM113	SERVICE TEE .750
13	1	BBS37	BUSHING, 1 NPTF TO 1/4 NPTF
14	1	BBS33	4000 PSI GAUGE
15	1	BBS31	1.00" QUICK COUPLER-FEMALE
16	8	BBS86	PIPE CLAMP
17	2	BBSTMS18	HOSE, MOTOR RETURN
18	2	BBSTMS17	HOSE, PRESSURE TO MOTOR
19	4	54085	HYD LINE EXTENSION
*	1	61053	MOTOR SEAL KIT

NOTE: * MEANS NOT SHOWN

FIGURE 9
GATE DELAY

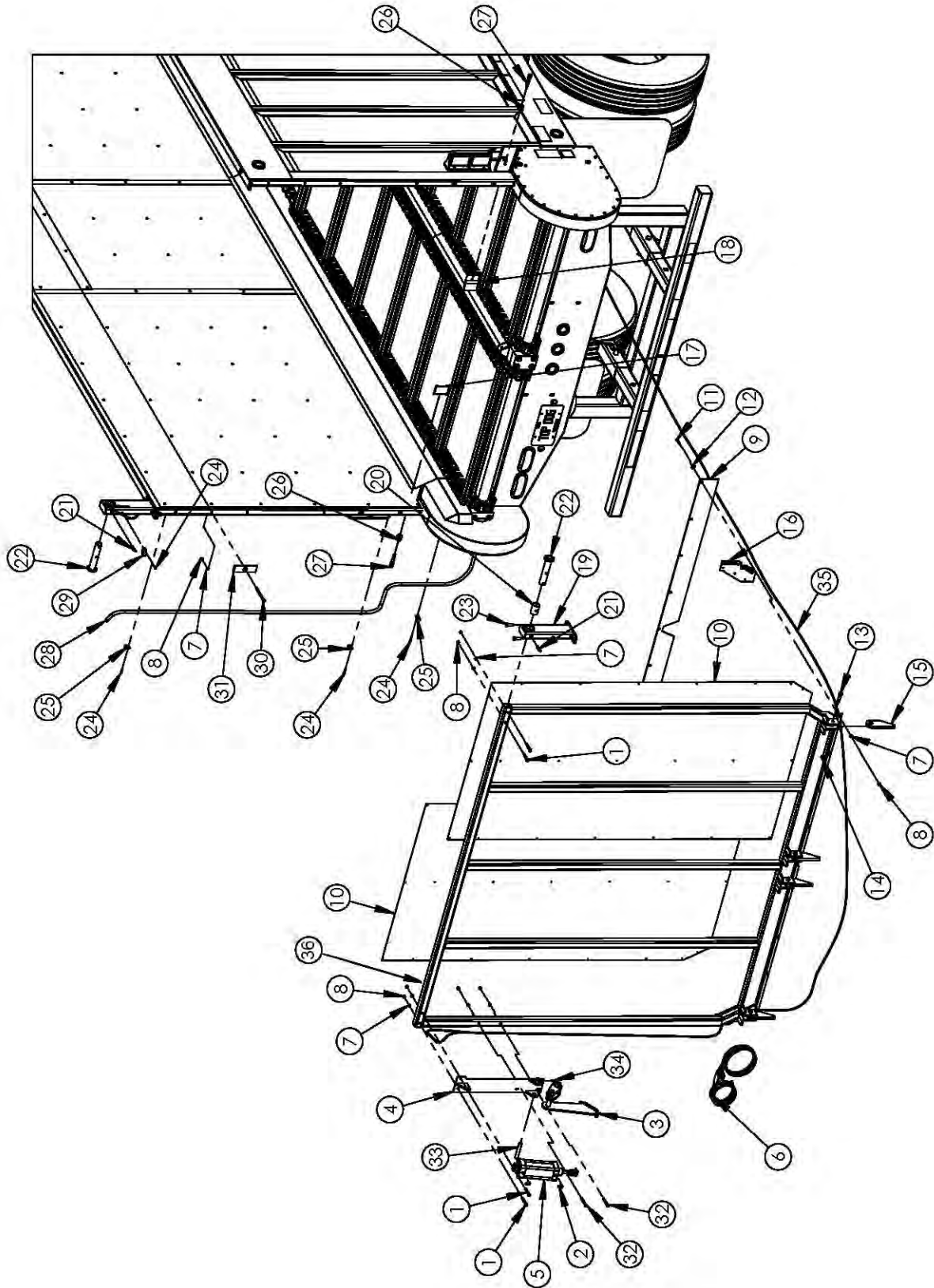


FIGURE 9

GATE DELAY

<u>ITEM</u>	<u>QTY</u>	<u>PART #</u>	<u>DESCRIPTION</u>
1	4	YBHH12110	BOLT, 3/8" X 2-3/4" GR. 5
2	2	GD5	MALE ELBOW, 1/4"
3	1	0231WE03	PIVOT
4	1	0231WE01	CYLINDER BASE PLATE
5	1	GD52	3-1/4" X 6" AIR CYLINDER COMPLETE
6	1	61598	HAND CONTROLLER (ON-OFF)
7	16	YWLO12005	WASHER, LOCK, 3/8"
8	16	YNHX12005	HEX NUT, 3/8"-16
9	1	BBS68	DOOR RUBBER
10	2	BBST16G06	DOOR SKIN
11	9	YBHH12035	BOLT, 3/8" X 1-1/4" GR. 5
12	9	YWFL12005	WASHER, FLAT, 3/8" USS
13	4	YBHH16080	BOLT, 1/2" X 2-1/2" GR. 5
14	4	YNTL16005	HEX NUT, TOP LOCK, 1/2"-13
15	4	BBS67	LATCH
16	2	55902	CORNER DOOR SEAL
17	1	55970	ROADSIDE DOOR STOP
18	1	56155	CURBSIDE DOOR STOP
19	2	BBS20	STAKE TOP REAR ASSEMBLY
20	2	56244	BUSHING, DRIVE SHAFT
21	2	16SV26	1/8" NPT X 2-3/32" 30 DEGREE ZERK
22	2	BBS64	DOOR HINGE PIN
23	4	YBHH16030	BOLT, 1/2" X 1-1/2" GR. 5
24	4	YSDR66007	SELF DRILLING SCREW, HEX WASHER HEAD, #12 X 1-1/4" (ZINC)
25	3	1097	1/2" EMT CLAMP
26	4	YWFL16005	WASHER, FLAT, 1/2" USS
27	4	YBHH16085	BOLT, 1/2" X 2-1/2" GR. 5 FULL THREAD
28	1	0227MS01	AIR LINE SHIELD
29	1	HGV72	SMALL TUBE HOLDER
30	1	YBCR12122	CARRIAGE BOLT, 3/8" X 5-1/2"
31	1	0231PL01	POLY BUMPER
32	2	YBHH12120	BOLT, 3/8" X 3" GR. 5
33	1	0231SH02	PIVOT PIN
34	1	YPEX08015	EXPANSION PIN, 1/4" X 1-3/4"
35	2	55852	CYLINDER SUPPLY LINE 530" (BLACK)
36	1	BBS38	DOOR ASSEMBLY

FIGURE 10
AIR CONNECTION

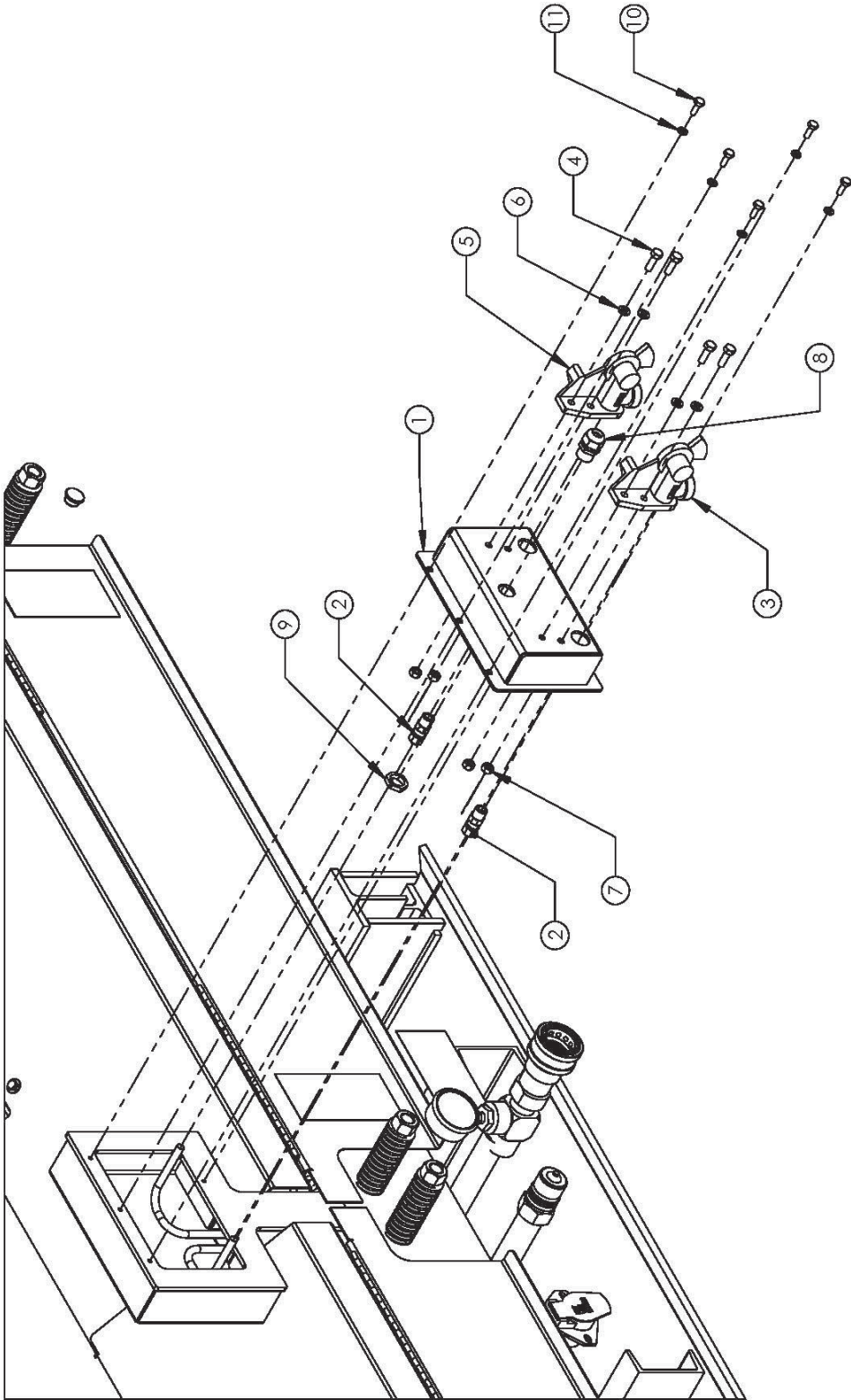


FIGURE 10

AIR CONNECTION

<u>ITEM</u>	<u>QTY</u>	<u>PART #</u>	<u>DESCRIPTION</u>
1	1	BBSTWE27	NOSE BOX
2	2	1032	3/8" MALE CONNECTOR (D.O.T.)
3	1	1015	37 DEGREE EMERGENCY GLADHAND
4	4	YBHH10010	BOLT, 5/16" X 1" GR. 5
5	1	1014	37 DEGREE SERVICE GLADHAND
6	4	YWLO10005	5/16" LOCK WASHER GR. 5
7	4	YNHX10010	HEX NUT, 5/16"-18 GR. 5
8	1	GD23	STRAIN RELIEF (CONNECTOR)
9	1	56120	STRAIN RELIEF LOCK NUT
*	1	BBSTAS16	NOSE BOX ASSEMBLY
10	5	YBHH08100	BOLT, 1/4" X 3/4" GR. 5
11	5	YWLO08005	WASHER, LOCK, 1/4

NOTE: * MEANS NOT SHOWN

FIGURE 11
REAR TRANSPORT LIGHTING

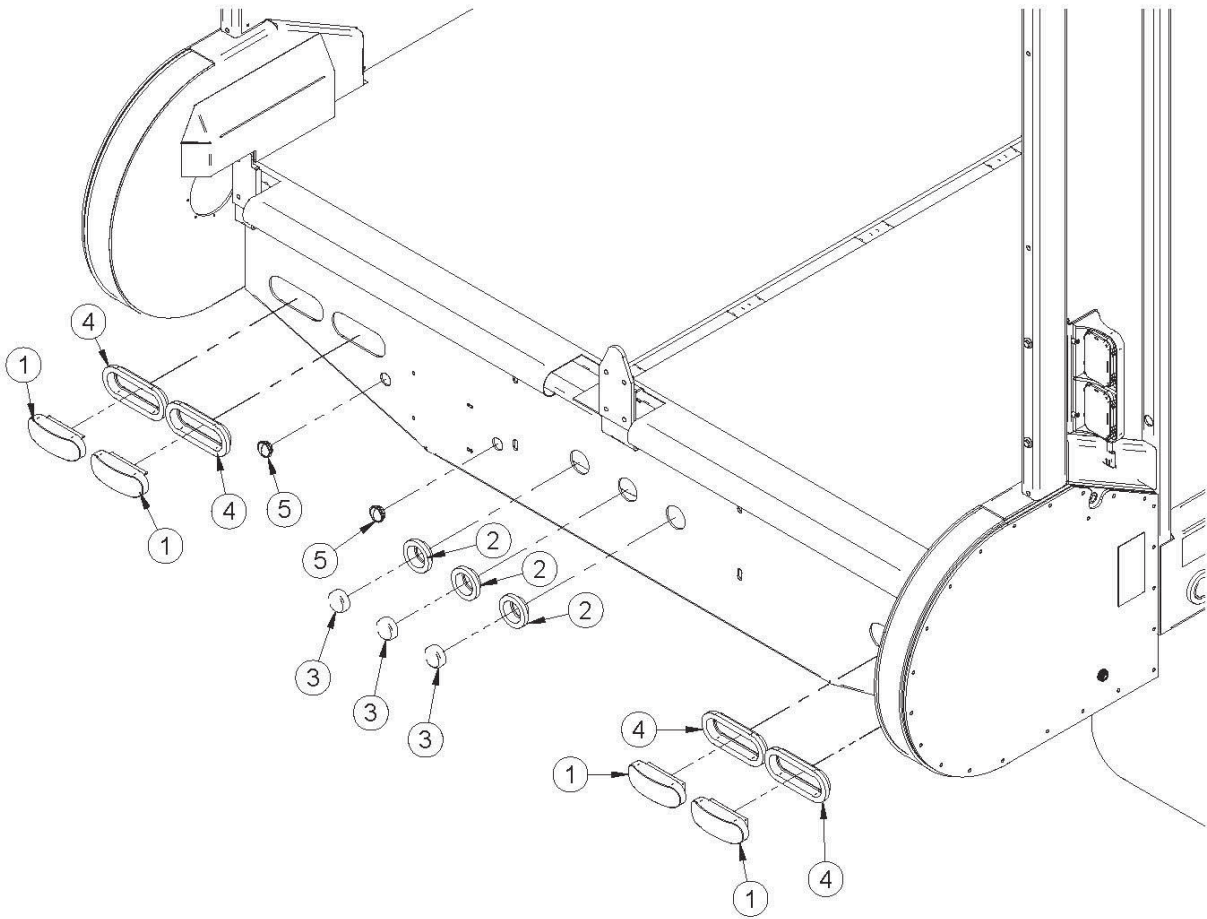


FIGURE 11

REAR TRANSPORT LIGHTING

<u>ITEM</u>	<u>QTY</u>	<u>PART #</u>	<u>DESCRIPTION</u>
1	4	BBS96	LED OVAL LIGHT, RED
2	3	BBS91	LIGHT GROMMET, ROUND
3	3	BBS92	MARKER LIGHT, RED ROUND
4	4	S308	LIGHT GROMMET, OVAL
5	2	BBS98	LICENSE LIGHT
*	1	58709	AL3108 WIRE HARNESS
*	1	53993	(NOTE: JUST ON TD40) WIRING HARNESS EXTENSION

FIGURE 12
TRANSPORT LIGHTING

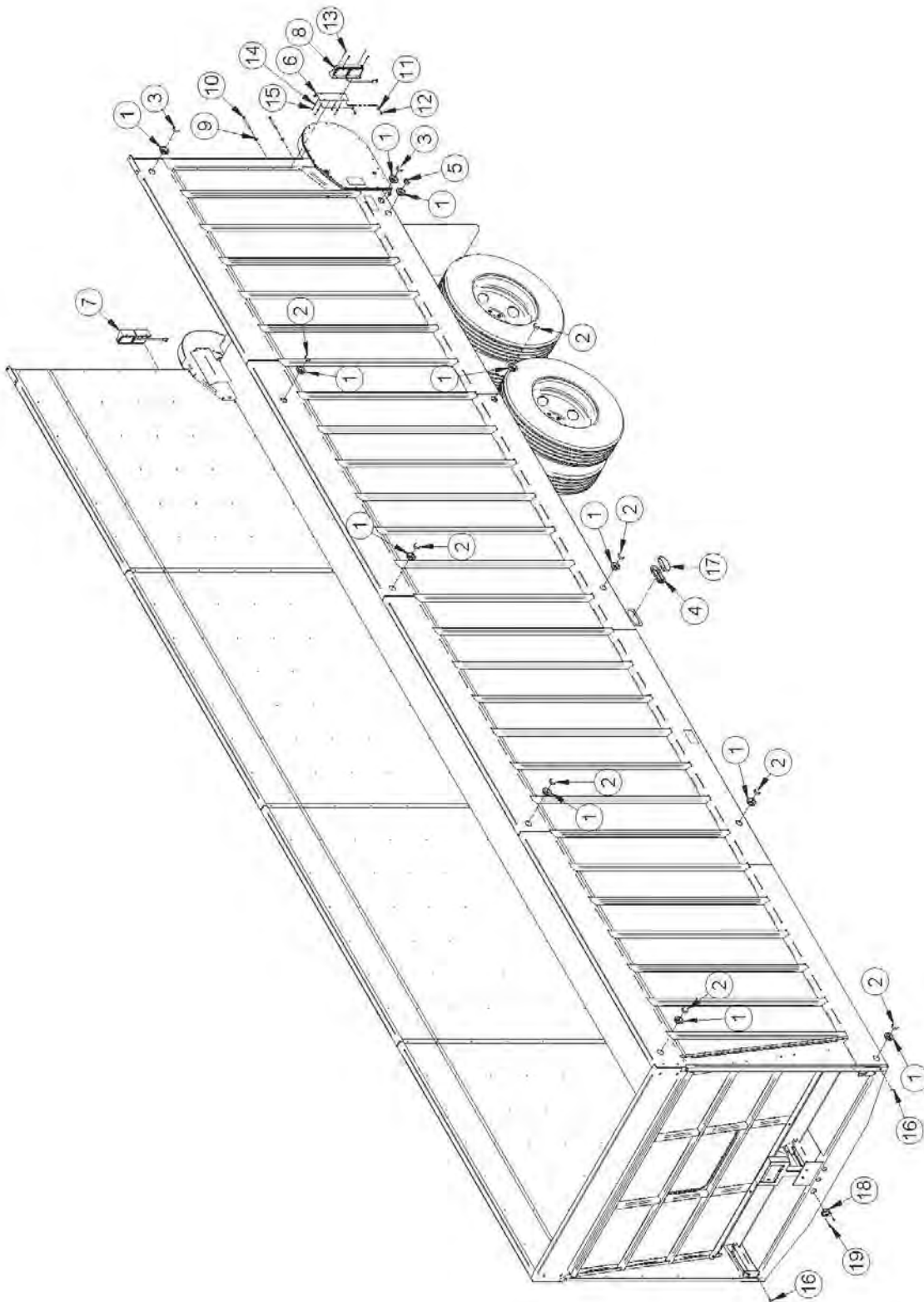


FIGURE 12

TRANSPORT LIGHTING

<u>ITEM</u>	<u>QTY</u>	<u>PART #</u>	<u>DESCRIPTION</u>
1	41	BBS91	LIGHT GROMMET, ROUND
2	16	BBS93	MARKER LIGHT, AMBER ROUND
3	2	BBS92	MARKER LIGHT, RED ROUND
4	2	BBS95	LIGHT GROMMET, OVAL
5	1	BBS94	ABS LIGHT, 2.0" ROUND
6	2	BBST10G28	UPPER TAIL LIGHT MOUNT
7	1	TFM72	LED TAIL LIGHT ASSY. RIGHT
8	1	TFM71	LED TAIL LIGHT ASSY. LEFT
9	4	YWFL12005	FLAT WASHER, 3/8", GR. 5
10	4	YBHH12200	BOLT, 3/8 X 5 GR 5
11	4	YWLO12005	LOCK WASHER, 3/8",
12	4	YNHX12005	HEX NUT, 3/8"-16
13	8	YSPP64010	#10-32 X 1" PHILLIPS HEAD MACHINE SCREW
14	8	YWSI64005	WASHER, LOCK, STAR, INTERNAL/EXTERNAL, #10
15	8	YNHX64005	HEX NUT, #10-32
16	2	8033	3/4 ROUND AMBER LED
17	2	8032	MID TURN SIGNAL LIGHT
18	1	1031	WIRING HARNESS
19	2	YBHH08100	BOLT, 1/4" X 3/4" GR. 5

FIGURE 13

OPTONAL BARN DOORS

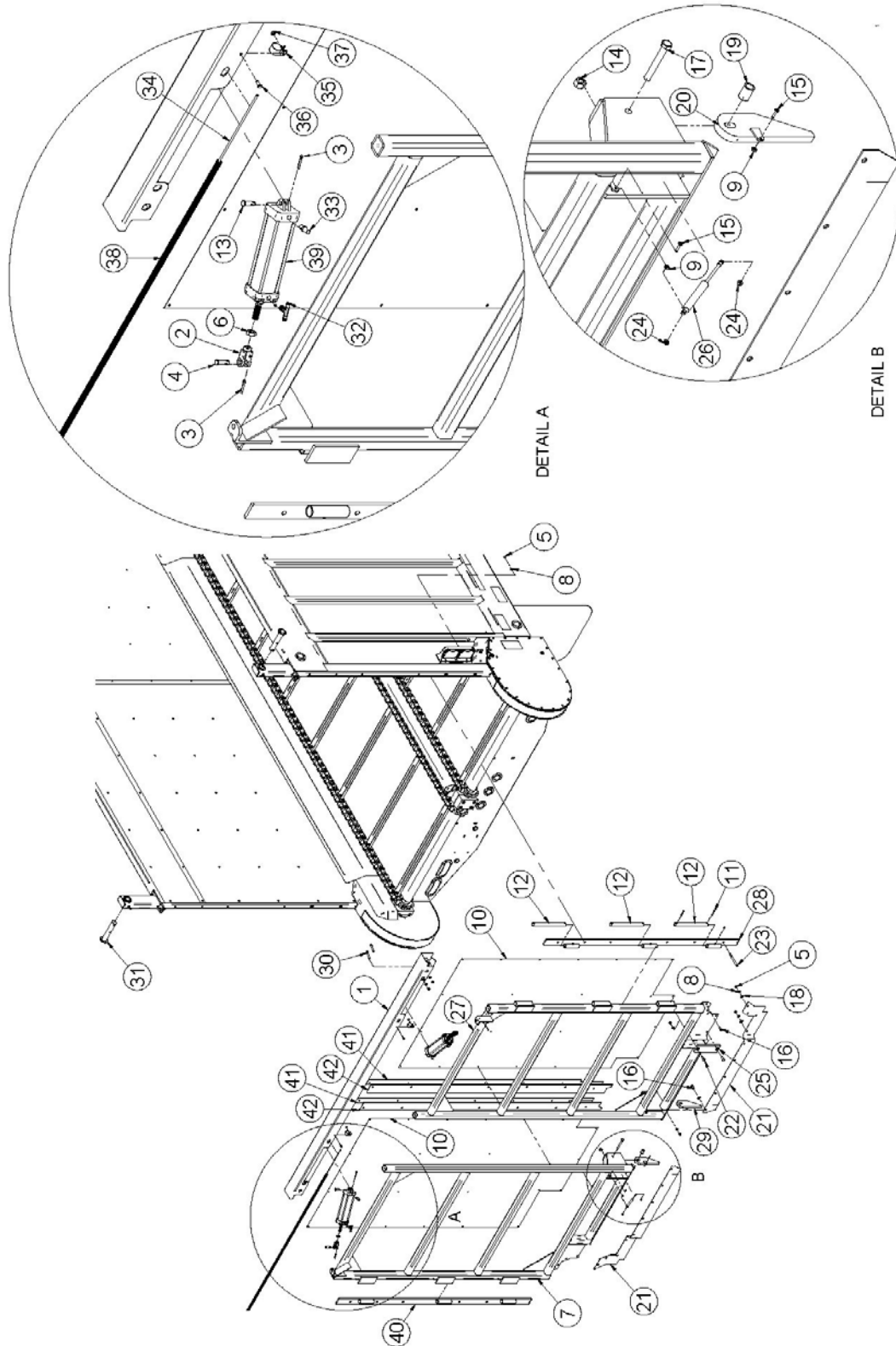


FIGURE 13

OPTIONAL BARN DOORS

<u>ITEM</u>	<u>QTY</u>	<u>PART #</u>	<u>DESCRIPTION</u>
1	1	0227WE01	TOP CHANNEL
2	2	8542	.625-18 CLEVIS
3	2	YPCT05005	COTTER PIN, 5/32" X 1"
4	2	8544	1/2 DIA X 1-1/2 CLEVIS PIN
*	1	56264	CLEVIS ASSEMBLY (INCLUDES ITEM # 2, 3 & 4)
5	2	8543	1/2 DIA X 1-3/8 CLEVIS PIN
6	2	YNJM20010	HEX NUT, JAM, 5/8"-18
7	1	0227WE04	DOOR LEFT
8	34	YWLO12005	LOCK WASHER, 3/8",
9	2	YNHX62005	8-32 ZINC PLATED NUT
10	2	022716G01	DOOR PANEL
11	12	YPEX08015	EXPANSION PIN, 1/4 X 1 3/4
12	6	0227SH01	HINGE PIN
13	34	YNHX12005	HEX NUT, 3/8"-16
14	2	YNTL16005	HEX NUT, TOP LOCK, 1/2-13
15	2	1135	#8-32 x .75 MACHINE SCREW, PHILLIPS HEAD, ZINC PLATED
16	16	YBHH12010	3/8-16 x 1 HEX CAP SCREW GRADE 5
17	2	YBHH16115	BOLT, 1/2" X 3-1/2" GR. 5
18	34	YWFL12005	FLAT WASHER, 3/8", GR. 5
19	2	0227PI02	LATCH SPACER
20	1	0227WE07	LATCH LEFT
21	2	0227RU01	DOOR SEAL BOTTOM
22	4	YBCR12020	CARR. BOLT, 3/8" X 1-1/4" GR. 5
23	12	YBHH12200	BOLT, 3/8 X 5 GR 5
24	2	YNNY62005	8-32, HEX NYLON INSERT LOCKNUT
25	2	0227PL01	POLY BUMPER
26	2	SD190	GAS STRUT
27	1	0227WE05	DOOR RIGHT
28	1	0227WE03	STAKE HINGE RIGHT
29	1	0227WE08	LATCH RIGHT
30	4	YBHH12110	BOLT, 3/8" X 2-3/4" GR. 5
31	2	BBS64	DOOR HINGE PIN
32	2	GD26	MALE BRANCH TEE 1/4"
33	2	GD7	1/4" VENT PLUG (CONE SHAPED)
34	1	0227MS03	CYLINDER TIE AIR LINE
35	2	HGV72	WIRE CLAMP #12
36	2	YBHH08100	BOLT, 1/4 X 3/4 GR 5
37	2	YNHX08005	1/4"-20 TOP LOCK NUT
38	1	0227MS02	WIRE LOOM
39	2	GD49	2.5 AIR CYLINDER
40	1	0227WE02	STAKE HINGE LEFT
41	2	02273G05	DOOR SEAL HOLD DOWN
42	2	0227RU02	DOOR SEAL

NOTE: * MEANS NOT SHOWN

FIGURE 14
SPRING SUSPENSION

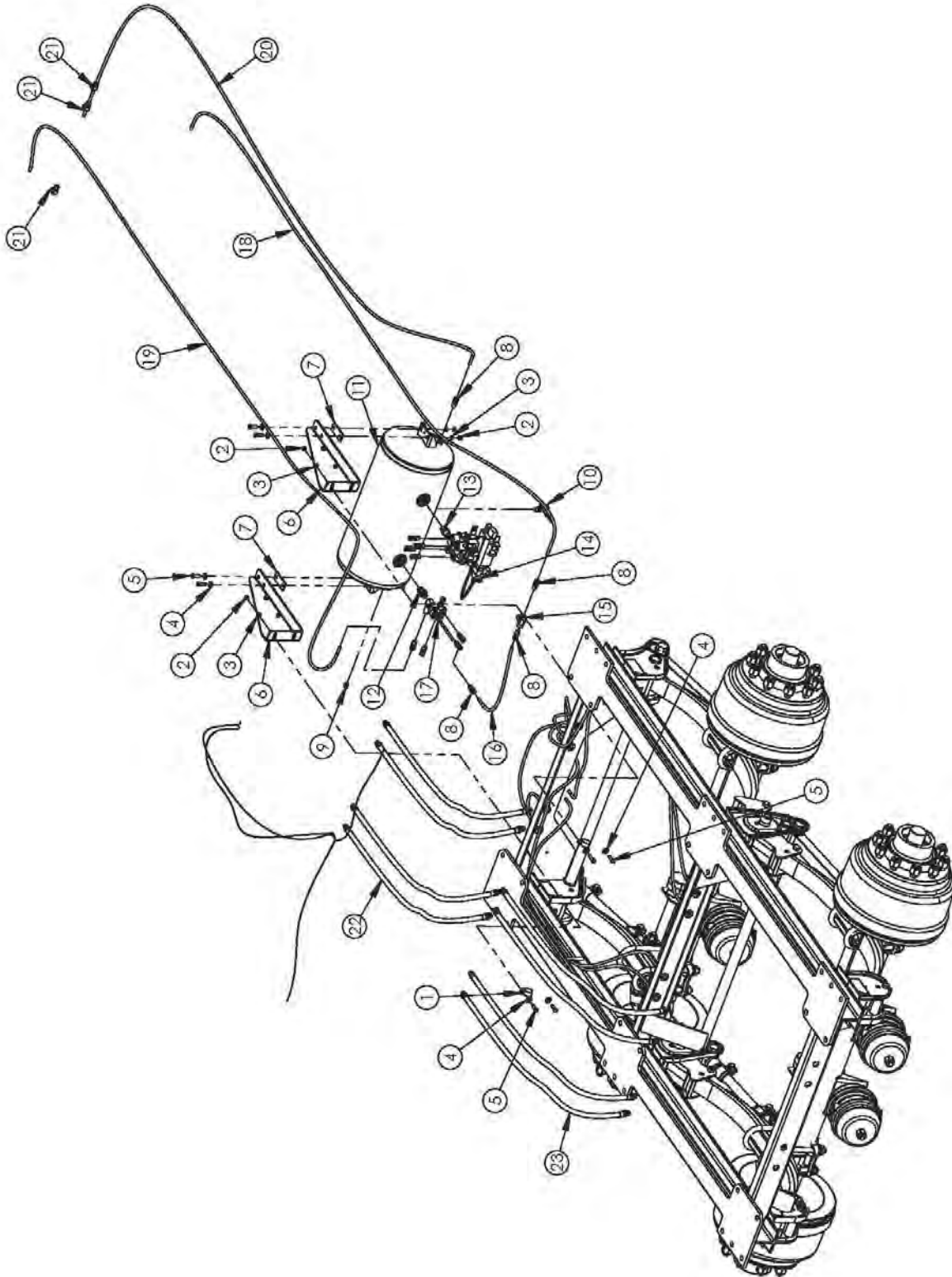


FIGURE 14

SPRING SUSPENSION

<u>ITEM</u>	<u>QTY</u>	<u>PART #</u>	<u>DESCRIPTION</u>
1	2	HGV72	SMALL TUBE HOLDER
2	8	YNHX12005	HEX NUT, 3/8"-16
3	8	YWLO12005	WASHER, LOCK, 3/8"
4	8	YWFL12005	WASHER, FLAT, 3/8" USS
5	8	YBHH12035	BOLT, 3/8" - 16 X 1-1/4" GR. 5
6	2	54101	AIR TANK HOLDER
7	2	1006	AIR TANK RUBBER MOUNT
8	13	1032	3/8" MALE CONNECTOR
9	1	1040	3/8" SQ HD PIPE PLUG
10	1	1041	1/4" LANYARD VALVE (36" LANYARD)
11	1	1005	12" DIA. AIR TANK W/ 3 PORTS
12	1	LW99	REDUCER, 3/4" X 1/2"
13	1	LW98	ADAPTER, 3/4" CLOSE NIPPLE
14	1	1013	MERITOR WABCO ABS KIT
15	1	WM146	ELBOW, STREET, 3/8"
16	1	55634	SUPPLY LINE, 15" (BLUE)
17	1	1010	ABS SPRING BRAKE VALVE
18	1	55746	SUPPLY LINE, 134.5" (BLUE)
19	1	54489	SUPPLY LINE, 149" (RED)
20	1	55745	SUPPLY LINE, 137.5" (BLACK)
21	3	55798	MALE ELBOW, 3/8" NPT TO 3/8" COMPLETE
22	4	1115	PANCAKE HOSE FRONT
23	4	1116	PANCAKE HOSE BACK
*	1	1037	3/4" HEX SCKT PIPE PLUG

NOTE: * MEANS NOT SHOWN

FIGURE 15
GRAIN KIT

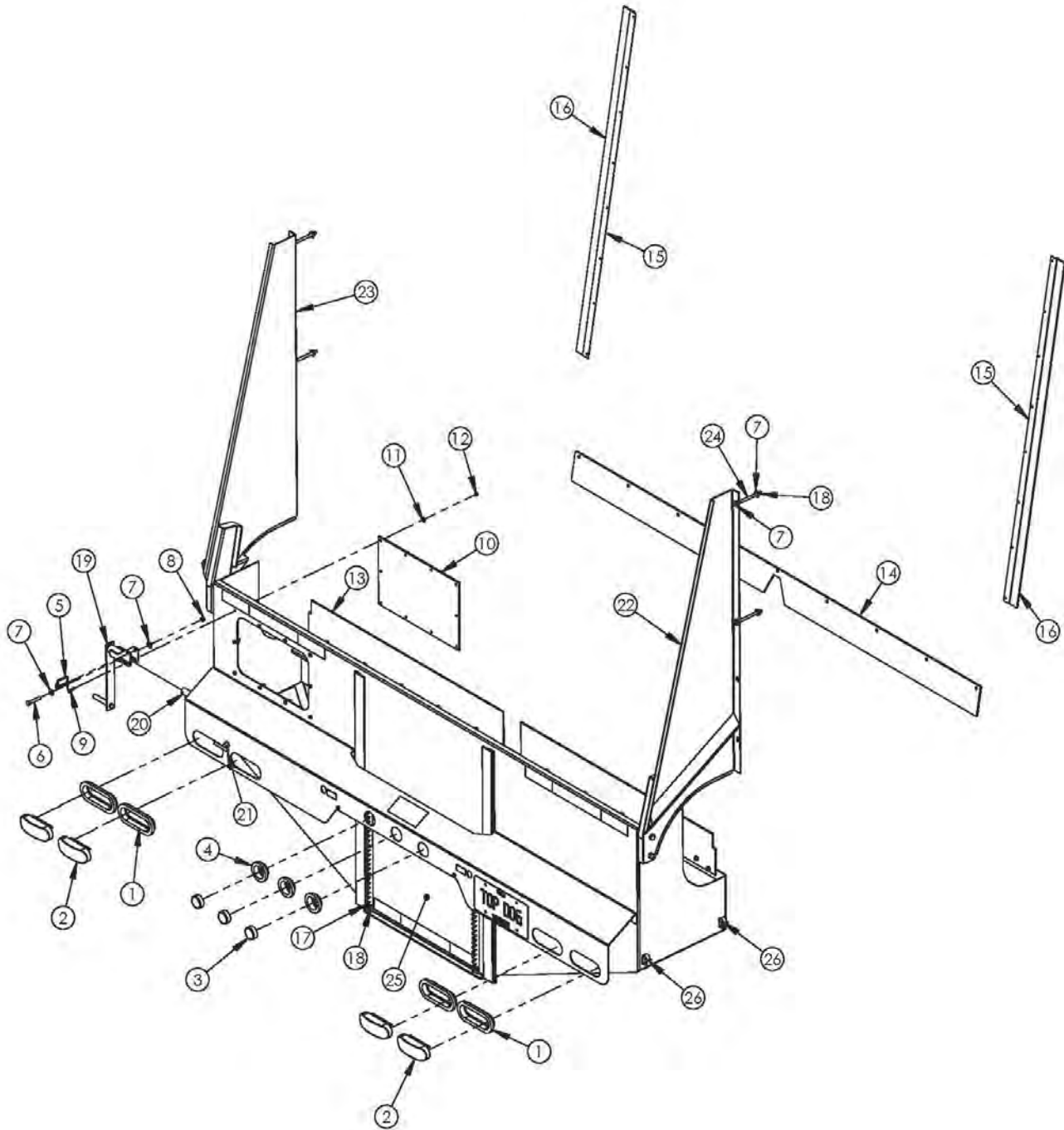


FIGURE 15

GRAIN KIT

<u>ITEM</u>	<u>QTY</u>	<u>PART #</u>	<u>DESCRIPTION</u>
1	4	S308	LIGHT GROMMET, OVAL
2	4	S310	OVAL LIGHT, RED
3	3	BBS92	MARKER LIGHT, RED ROUND
4	3	BBS91	LIGHT GROMMET, ROUND
5	1	DWM324	SAFETY SNAP PIN
6	1	YBHH12100	BOLT, 3/8" X 2-1/4" GR. 5
7	9	YWFL12005	WASHER, FLAT, 3/8" USS
8	1	YNTL12005	HEX NUT, TOP LOCK, 3/8"-16
9	10	YBHH08010	BOLT, 1/4" X 1" GR. 5
10	1	GH7	HOPPER WINDOW
11	10	YWFL08005	WASHER, FLAT, 1/4" USS
12	10	YNNY08005	HEX NUT, NYLON LOCKNUT, 1/4"-20
13	1	0226RU02	UPPER HOPPER SEAL
14	1	BBS68	DOOR RUBBER
15	2	0226MS01	1-1/4" BRUSH HOLDER
16	2	0226MS04	2" BRUSH LONG
17	2	YBHH12130	BOLT, 3/8" X 3/4" GR. 2
18	4	YNHX12005	HEX NUT, 3/8"-16
19	1	GH8	FOLDING CRANK
20	1	0226WE04	REAR DOOR DRIVE
21	1	GH11	DRAG BLOCK TIGHTENER
22	1	0226WE02	SIDE EXTENSION RIGHT
23	1	0226WE03	SIDE EXTENSION LEFT
24	4	YBHH12200	BOLT, 3/8" X 5" GR. 5
25	1	GH4	REAR HOPPER DOOR
26	2	HGV162	1/2" RUBBER WIRE HOLDER

FIGURE 16
FLOW CONTROL KIT

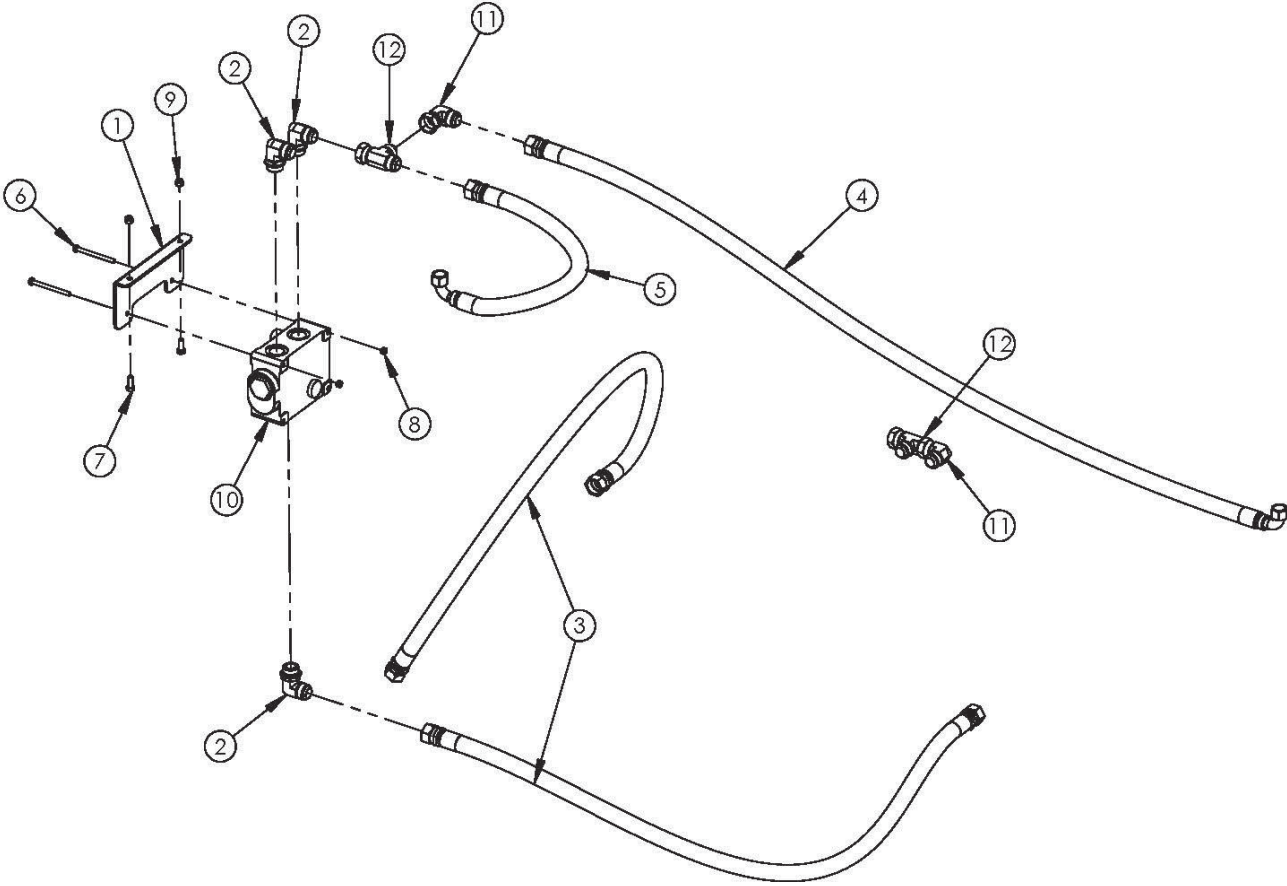


FIGURE 16

FLOW CONTROL KIT

<u>ITEM</u>	<u>QTY</u>	<u>PART #</u>	<u>DESCRIPTION</u>
1	1	02266G02	FLOW CONTROL MOUNT
2	3	BBS52	STRAIGHT THREAD ELBOW
3	2	BBSTMS24	PSI TO FLOW
4	1	BBSTMS25	HOSE, FLOW TO MOTOR, LONG
5	1	BBSTMS26	HOSE, FLOW TO MOTOR, SHORT
6	2	YBHH10112	BOLT, 5/16"-18 X 3-3/4" GR. 5
7	2	YBHH12010	BOLT, 3/8" X 1" GR. 5
8	2	YNHX10005	HEX NUT, 5/16"
9	2	YNNY12005	HEX NUT, NYLON LOCKNUT, 3/8"-16
10	1	BBS51	FLOW CONTROL
11	2	8021	SWIVEL NUT ELBOW
12	2	CHM182	SWIVEL NUT RUN TEE

FIGURE 17
AIR VALVE FOR GATE DELAY

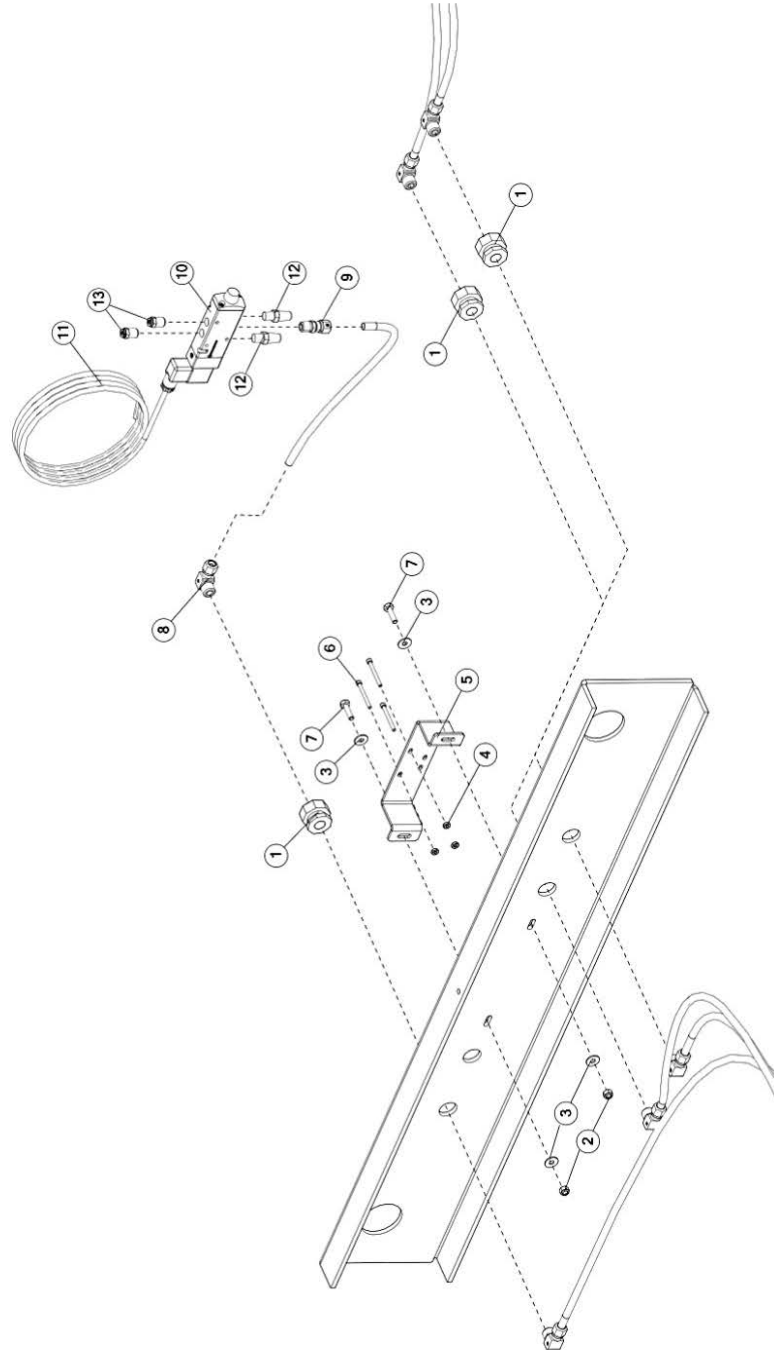


FIGURE 17

AIR VALVE FOR GATE DELAY

<u>ITEM</u>	<u>QTY</u>	<u>PART #</u>	<u>DESCRIPTION</u>
1	3	1114	3/8" x 3/8" BULKHEAD NIPPLE
2	2	YNNY08005	HEX NUT, NYLON LOCKNUT, 1/4-20
3	4	YWFL08005	WASHER, FLAT, 1/4 USS
4	3	YNHX62005	#8-32 ZINC PLATED NUT
5	1	54510	AIR VALVE MOUNTING BRACKET
6	3	YSHS62005	SOCKET HEAD CAP SCREW, #8-32 X 1-3/4 X 1.00
7	2	YBHH08010	BOLT, 1/4 X 1 GR 5
8	1	55798	MALE ELBOW, 3/8 NPT TO 3/8 COMP
9	1	58651	1/4" to 3/8" DOT FITTING
10	1	8031	GATE DELAY AIR VALVE (4 WAY)
11	2	1093	DIN CORD
12	2	GD7	1/4" VENT PLUG (CONE SHAPED)
13	2	GD6	MALE COUPLER

H&S MFG. CO.

products approved

for the

FEMA

SEAL OF QUALITY

